

REPUBLIC OF SOUTH AFRICA

SOUTH AFRICAN MARITIME
SAFETY AUTHORITY

Ship Registration Act, 1998 (Act No. 58 of 1998)



REPUBLIEK VAN SUID-AFRIKA

SUID-AFRIKAANSE MARITIEME
VEILIGHEIDS OWERHEID

Wet op Skeepsregistrasie, 1998 (Wet No. 58 of 1998)

BUILDER'S CERTIFICATE

NAME OF BUILDER	ADDRESS OF BUILDER	TEL NO.
		FAX NO.
		E-MAIL ADDRESS

PHASE OF CONSTRUCTION COVERED BY THIS CERTIFICATE

	ENTIRE CONSTRUCTION	YEAR PHASE OF CONSTRUCTION	
	HULL ONLY	YEAR COMPLETED	
	COMPLETION ONLY (HULL BUILT BY ANOTHER)		

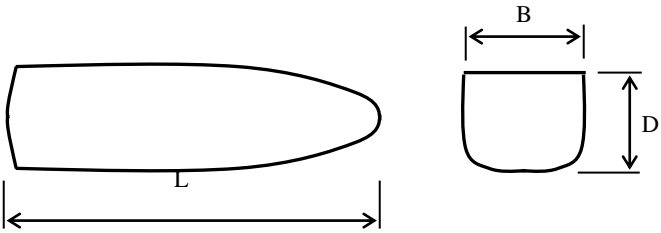

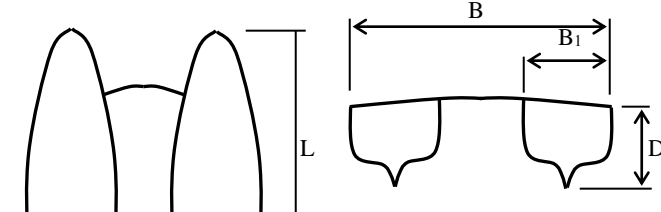
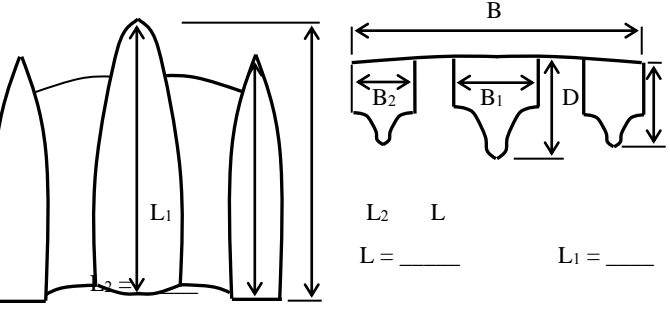
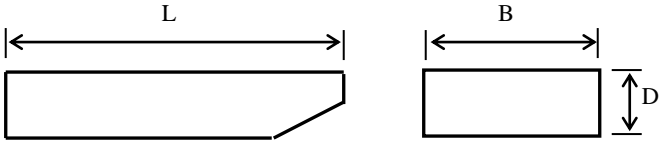
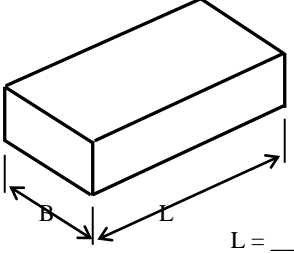
VESSEL DATA

HULL IDENTIFICATION NUMBER/ YARD NUMBER		NAME OF VESSEL (IF KNOWN)		PLACE OF BUILD (CITY, STATE, COUNTRY)	
EQUIPPED WITH ENGINE(S)	YES	NO	EQUIPPED WITH AN OUTBOARD	YES	NO
NO. OF ENGINES		DESCRIPTION OF ENGINES			
HULL MATERIAL	WOOD	STEEL	G R P	ALUMINIUM	CONCRETE
OTHER (SPECIFY)					

NAME(S) AND ADDRESS(ES) OF PARTY(IES) FOR WHOM BUILT

NAME OF OWNER(S)	ADDRESS OF OWNER(S)

**DIMENSIONS
(COMPLETE APPROPRIATE DIAGRAM IN MILLIMETRES)**

<p><input type="checkbox"/> SHIP-SHAPE HULL</p>  <p>L = _____ B = _____ D = _____</p>	<p><input type="checkbox"/> SAILBOAT</p>  <p>D1 only if actual hull depth (D) cannot be determined. L = _____ B = _____ D = _____ D1 = _____</p>
<p><input type="checkbox"/> CATAMARAN</p>  <p>L = _____ B = _____ B1 = _____ D = _____</p>	<p><input type="checkbox"/> TRIMARAN</p>  <p>L = _____ L1 = _____ B = _____ B1 = _____ D = _____ D1 = _____ B2 = _____</p>
<p><input type="checkbox"/> BARGE-SHAPED HULL</p>  <p>L = _____ B = _____ D = _____</p>	<p><input type="checkbox"/> DECKHOUSES (Houseboats only)</p>  <p>(AVERAGE DECKHOUSE DIMENSIONS MUST BE FURNISHED IN ADDITION TO HULL DIMENSIONS)</p> <p>L = _____ B = _____ D = _____</p>

CERTIFICATION

I, _____ DO HEREBY CERTIFY THAT THE INFORMATION ABOVE IS CORRECT AND THAT I HAVE I/WE PERSONALLY PERFORMED THE CONSTRUCTION*, OR HAVE SUPERVISED THE CONSTRUCTION* ON BEHALF OF: (Name of Company) _____

_____ Date

_____ Signature

* Delete whichever is not applicable